

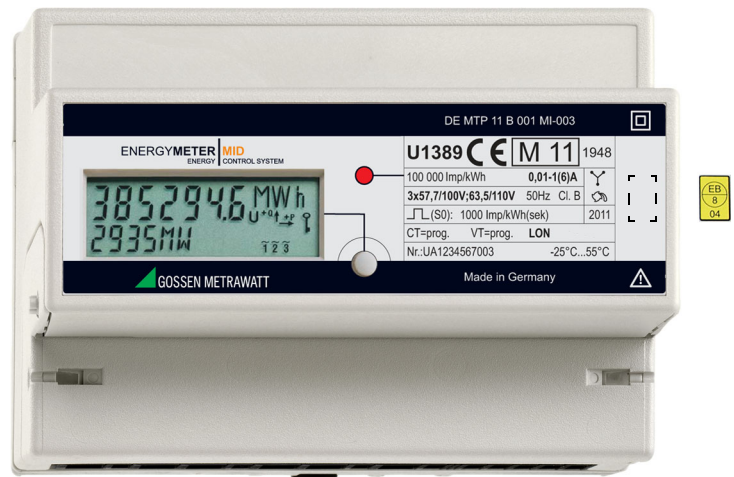
ENERGYMETER | MID

U1281/U1289/U1381/U1387/U1389

Electronic Active and Reactive Energy Meters

3-349-617-03
11/10.20

- Professional energy meter for 2, 3, 4 wire systems with 65 A direct connection or 1 A, 5 A transformer connection
- Accuracy class B for commerce and industry and for enhanced requirements in private households
- Cost savings thanks to initial calibration ex factory, per MID, conformity evaluation procedure for modules B+D
- Configurable multifunctional versions for the acquisition of reactive energy and measured line quantities
- Indication of installation errors: phase sequence, phase failure, transformers with reversed polarity, overload
- Universal pulse output with adjustable pulse rate, pulse duration and selectable voltage range
- Flexible communication via integrated LON, M bus or L bus interface
- Possibility to maintain full functionality via fail-safe 24 V auxiliary voltage system even if disconnected from the mains
- Cover can be sealed, parameter configuration lock
- Quality product „Made in Germany“



LONWORKS® M-Bus L-Bus 

Applications

The calibrated energy meter can be used for the acquisition and billing of active energy in commerce and industry, households and facility management. The measured values are transmitted to data logging, billing and optimization systems as well as building automation and C&I systems via pulse output, LON, M bus or L bus interfaces. Installation is absolutely simple as the meter automatically recognizes false connections and signals them immediately. The active power display offers a maximum of operating convenience as it immediately informs about the momentary load of the electric circuit. And if you wish to have more information about your mains system, just extend the range of functions.

Applicable Regulations and Standards

| | |
|----------------------------------|---|
| IEC/EN 60529 VDE 0470, part 1 | Degrees of protection provided by enclosures (IP code) |
| DIN 43856 | Electrical power meters, multi-rate tariff switches and ripple-control receivers |
| DIN EN 62053-31 VDE 0418-3-31 | Pulse output devices for electromechanical and electronic meters |
| DIN EN 50470-1 VDE 418-0-1 | Electricity metering equipment Part 1: General requirements, tests and test conditions – Metering equipment – EMC requirements |
| DIN EN 50470-3 VDE 418-0-3 | Part 3: Particular requirements – Static meters for active energy (class indexes A, B and C) |
| DIN EN 62053-23 | Electricity metering equipment (a.c.) - Particular requirements - Part 23: Static meters for reactive energy (classes 2 and 3) |

Multifunctional Design

Depending upon the type of multifunctional design, the meter is also capable of acquiring reactive energy and of indicating up to 26 additional measured quantities.

With a simple keystroke and without the use of additional measuring equipment, it is thus possible to evaluate the voltage level, the capacity utilization of the individual phases, the reactive power component and the function of reactive power compensation equipment at any time. Please refer to the table below for details.

| Measuring function | Accuracy | Feature | | | |
|--------------------------------------|-------------|---------|----|-----------------|-----------------|
| | | M0 | M1 | M2 ² | M3 ² |
| Measured quantity | | | | | |
| Active energy (kWh) ¹ | 1% | • | • | • | • |
| Reactive energy (kVarh) ¹ | 2% | — | — | • | • |
| Voltage (V) | 0.5% ± 1 D | — | • | — | • |
| Current (A) | 0.5% ± 1 D | — | • | — | • |
| Active power (kW) | 1% ± 1 D | — | • | — | • |
| Reactive power (kVar) | 1% ± 1 D | — | • | — | • |
| Apparent (kVA) | 1% ± 1 D | — | • | — | • |
| Power factor (cos phi) | 1% ± 1 D | — | • | — | • |
| Frequency (Hz) | 0.05% ± 1 D | — | • | — | • |

¹ The associated total power is shown in the auxiliary display: active power (kW) and/or reactive power (kVar)

² Not approved in Switzerland

ENERGYMETER | MID

U1281/U1289/U1381/U1387/U1389

Electronic Active and Reactive Energy Meters

Technical Data

Measuring Ranges

| Voltage | |
|-----------------------|-----------------|
| See order information | 100 V ... 500 V |
| Allowable deviation | + 15% / - 20% |

| Current | Directly measured | Current transformer |
|------------------|-------------------|---------------------|
| I_{ref} | 5 A | 1 A |
| Starting current | 20 mA | 2 mA |
| I_{min} | 0.1 A | 0.01 A |
| I_{max} | 65 A | 6 A |

| Frequency range | |
|-------------------|-----------------|
| Nominal frequency | 50 Hz |
| Cutoff frequency | 45 Hz ... 65 Hz |

| Accuracy | |
|-----------------|-----------------------------|
| Active energy | Class B per DIN EN 50470-3 |
| Reactive energy | Class 2 per DIN EN 62053-23 |

Sampling rate continuous 32/period

LCD

Type 7-segment characters,
7-digit main display, height: 6 mm
8-digit auxiliary display, height: 5 mm

Display range 0 ... 9999999 digits

Refresh approx. 6 per second

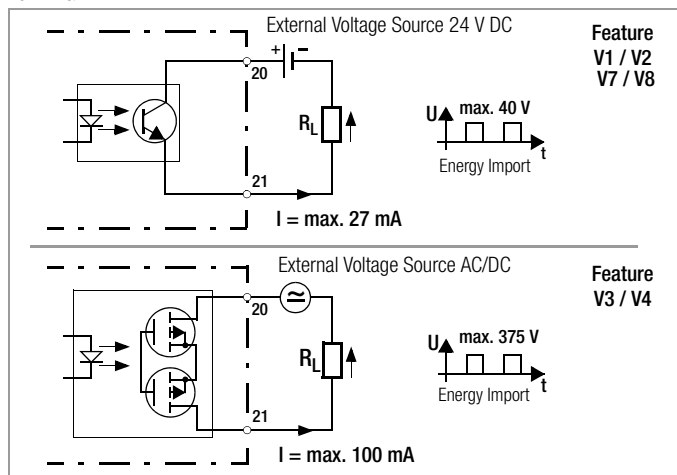
Pulse Output

The energy meters are furnished with a pulse output as standard equipment (see below). The pulse output is electrically isolated from the measuring circuit by means of an optocoupler.

Electrical Values

| | |
|---|---|
| Pulse generator constants with direct connection | 1000 pulses per kWh (adjustable for feature V2, V4) |
| Pulse generator constants with transformer connection | 1000 pulses per kWh (adjustable for feature V2, V4) |
| Pulse duration | 30 ms (adjustable up to 3 s for feature V2, V4) |
| Interpulse period | > 30 ms |
| U_{ext} | max. 40 V (375 V for feature V3, V4) |
| Switching current | max. 27 mA (100 mA for feature V3, V4) |

Terminal



Power Supply, Auxiliary Power Supply

| | |
|------------------------------|--|
| Internal supply | from measuring voltage: 80 up to 115 % U_r |
| External supply (Feature H1) | Auxiliary voltage: 24 V \pm 10 % |
| | Current consumption: < 1 W |

Power Failure Backup

Meter parameters and meter readings are retained by an EEPROM in the event of power failure.

If an external auxiliary power supply is utilized (feature H1), meter readings and parameters can also be queried during power failures.

Power Consumption

| Voltage path | |
|-------------------|---|
| 4-wire meter | < 1 VA per phase (including supply power) |
| 2 or 3-wire meter | < 2 VA |

| Current path | |
|--------------|--------------------------|
| At I_{max} | < 1 VA (direct) |
| | < 0.03 VA (transformer) |
| At I_{ref} | < 0.02 VA (direct) |
| | < 0.001 VA (transformer) |

Electrical Safety

| | |
|--------------|---------------------|
| Safety class | II per DIN EN 50470 |
|--------------|---------------------|

| Nominal insulation voltage | |
|----------------------------|---|
| Inputs | 300 V AC |
| Output | Feature V1, V2: DC 50 V ($S\emptyset$ and bus) |
| | Feature V3, V4: AC 230 V (pulse) |

| Insulation test voltage | |
|--|---|
| Input \leftrightarrow output / housing | 4 kV AC |
| Output \leftrightarrow housing | Feature V1, V2: 500 V ($S\emptyset$ und bus) |
| | Feature V3, V4: 4 kV (pulse) |

Overload Capacity

| | |
|------------------------|---|
| All meters | Unlimited at 1.15 U_r and I_{max} |
| Direct connection | 5 times 3 sec.: U_r and 100 A (interval: 5 min.) |
| Direct connection | 1 times 1 sec.: U_r and 250 A |
| Transformer connection | 0.5 sec.: 20 times I_{max} ; continuous: 10 times I_{max} . |

EMC

| Electromagnetic Compatibility per DIN EN 50470 | |
|--|--|
| Surge voltage | 6 kV, 1.2 / 50 μ s 10+ / 10- surges (DIN EN 50470-1) |
| Electrostatic discharge | 15 kV (DIN EN 61000-2-4) |
| Electromagnetic fields | 30 V/m (DIN EN 61000-4-3) open circuit |
| | 10 V/m (DIN EN 61000-4-3) under load |
| Burst | 2 kV (DIN EN 61000-4-4) |
| Conducted interference | 10 V (DIN EN 61000-4-6) |
| Interference emission | EN 55022 |

Interfaces

A detailed description of the LON, M bus and L bus interfaces is available on the internet at www.gossenmetrawatt.com.

Electronic Active and Reactive Energy Meters

Ambient Conditions

| | |
|-----------------------------|----------------------|
| Operating temperature range | -25 ... +55° C |
| Storage temperature range | -25 ... +70° C |
| Relative Humidity | < 75% annual average |
| Elevation | to 2000 m |
| Deployment | indoors |

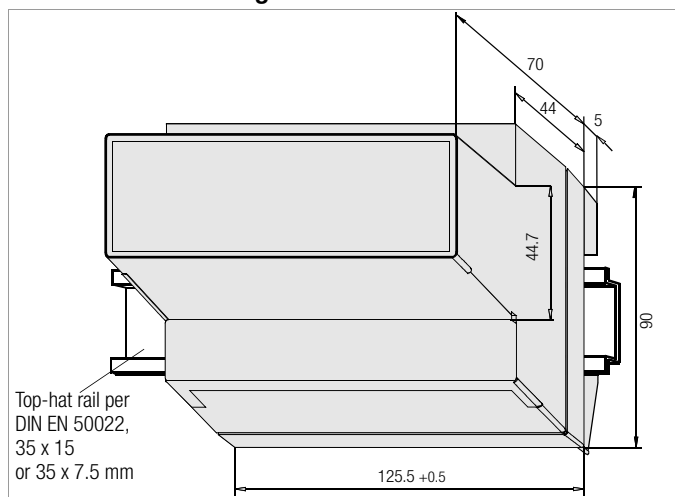
Mechanical Data

| Housing | |
|--------------|--|
| Material | Lexan polycarbonate per UL94 V0 |
| Dimensions | Height ≤ 90 mm |
| | Overall depth ≤ 75 mm |
| | Width 125.5 +0.5 mm |
| Weight | < 0.5 kg |
| Installation | Top-hat rail per DIN EN 50022 or wall mounting |
| Protection | IP 51 (dust protection, vertically dripping water) |

Terminals

| | |
|----------------------|--|
| Current input | ≤ 16 square mm without wire end ferrule |
| Voltage input | ≤ 2.5 square mm with wire end ferrule |
| | ≤ 2 x 1.5 square mm without wire end ferrule |
| SO pulse input / LON | ≤ 2.5 square mm with wire end ferrule |
| | ≤ 2 x 1.5 square mm without wire end ferrule |
| Protection | IP 20 (Protection against entry of foreign objects ≥ 12.5 mm dia. without protection against the penetration of water) |

Dimensional Drawing / Installation



Symbols and Their Meanings

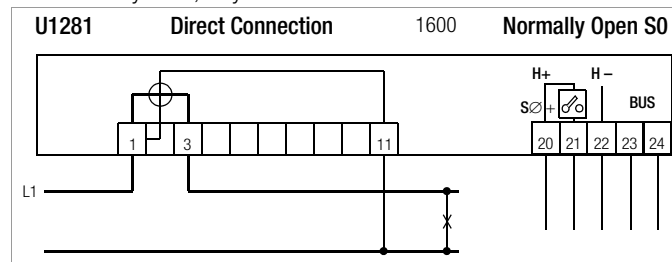
| Symbol | Meaning |
|------------------|--|
| CT | Current transformer transformation ratio |
| CT × VT | Product of CT and VT |
| f | Frequency |
| I | RMS current value |
| I _{max} | Limit current |
| I _{min} | Minimum current rating |
| I _{ref} | Reference current (rating) |
| U | RMS voltage value |
| U _n | Reference voltage |
| VT | Voltage transformer transformation ratio |

Terminal Assignments

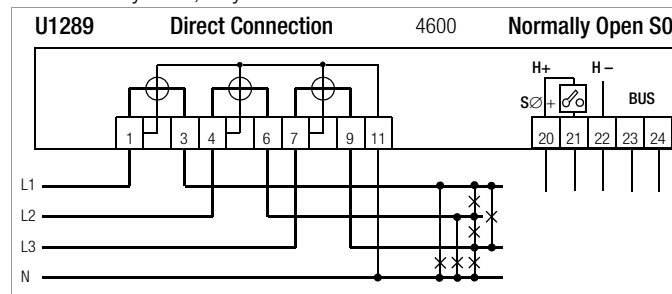
Self-locking screw terminals are utilized, and are protected with a tamper-proof terminal cover as a standard feature.

Terminal Circuit Diagrams

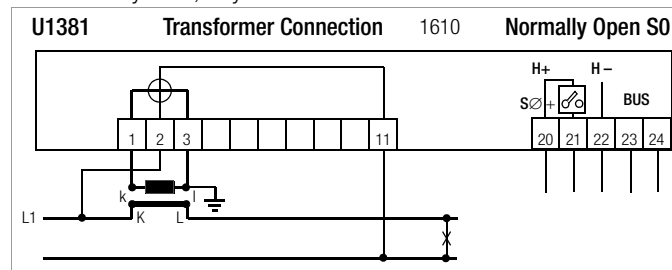
2-wire AC system, any load



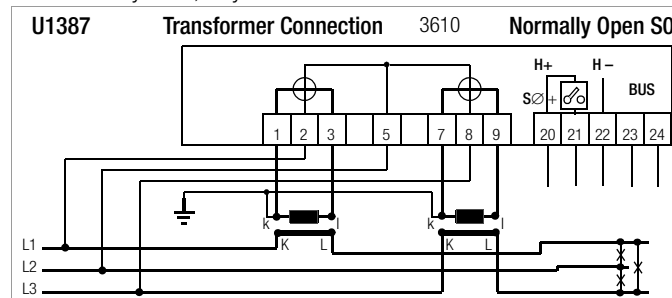
4-wire AC system, any load



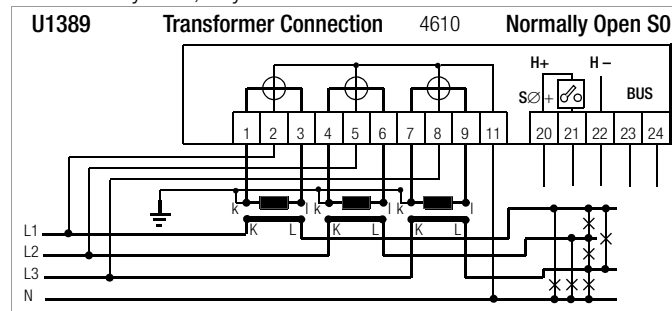
2-wire AC system, any load



3-wire AC system, any load



4-wire AC system, any load



ENERGYMETER | MID

U1281/U1289/U1381/U1387/U1389

Electronic Active and Reactive Energy Meters

Order Information

| Designation | Article Number / Feature | | | | | |
|--|--|--------------------------------------|-------|--------------------------|--------------------------|--------------------------|
| | U1281 | U1289 | U1381 | U1387 | U1389 | |
| Active energy meter for 2-wire system, direct | | | | | | |
| Active energy meter for 4-wire system, direct, with any load | | | | | | |
| Active energy meter, 2-wire system, transformer | | | | | | |
| Active energy meter, 3-wire system, transformer, with any load | | | | | | |
| Active energy meter, 4-wire system, transformer, with any load | | | | | | |
| 24 V DC external auxiliary power | without | H0 | H0 | H0 | H0 | H0 |
| | with | H1 | H1 | H1 | H1 | H1 |
| Multifunctional design | without | M0 | M0 | M0 | M0 | M0 |
| | with U, I, P, Q, S, PF, f | M1 | M1 | M1 | M1 | M1 |
| | with reactive energy ²⁾ | M2 | M2 | M2 | M2 | M2 |
| | with U, I, P, Q, S, PF, f and reactive energy ²⁾ | M3 | M3 | M3 | M3 | M3 |
| Referenzspannung U _n | 100 ... 110 V | — | — | — | U3 | U3 |
| | 230 V | U5 | — | U5 | — | — |
| | 400 V | — | U6 | — | U6 | U6 |
| | 500 V | — | — | — | U7 | — |
| Approval | MID | P8 | P8 | P8 | P8 | P8 |
| | MID and calibration certificate | P9 | P9 | P9 | P9 | P9 |
| Pulse output | 1000 pulses/kWh ¹⁾ | S0 standard, calibrated | V1 | V1 | V1 | V1 |
| | Programmable rate 1 ... 1000 pulses/kWh s ¹⁾ | S0 programmable | V2 | V2 | — | — |
| | Programmable rate 1 ... 10000 pulses/kWh s ¹⁾ | S0 programmable | — | — | V2 | V2 |
| | Switching output up to 230 V, 1000 pulses per kWh ¹⁾ (not possible with feature H1) | 230 V standard, calibrated | V3 | V3 | V3 | V3 |
| | Switching output up to 230 V, programmable rate ¹⁾ (not possible with H1) | Programmable 230 V | V4 | V4 | V4 | V4 |
| | Can be calibrated 100 pulses/kWh | S0 130 ms, 100 pulses/kWh | V7 | V7 | — | — |
| | Can be calibrated 100 pulses/kWh, for Q9 depending on CT x VT | S0 130 ms, 100 pulses/kWh | — | — | V7 | V7 |
| | Can be calibrated 1000 pulses/kWh, not with Q9 | S0 130 ms, 1000 pulses/kWh | — | — | V8 | V8 |
| Calibrated 2000, 5000, 10000 pulses per kWh | S0 customer-specific | — | — | V9 | V9 | |
| Bus connection | without | W0 | W0 | W0 | W0 | W0 |
| | LON | W1 | W1 | W1 | W1 | W1 |
| | M-Bus | W2 | W2 | W2 | W2 | W2 |
| | L-Bus | W3 | W3 | W3 | W3 | W3 |
| Transformer ratios | Current/voltage fixed, Main display calibrated | CT=VT=1 | — | — | Q0 | Q0 |
| | Current/voltage programmable, auxiliary display calibrated | CT, VT programmable (CTxVT ≤ 100000) | — | — | Q1 | Q1 |
| | Current/voltage fixed, Main display calibrated CT=1 ... 10000, VT=1 ... 1000, CT x VT ≤ 1 million | CT, VT fixed | — | — | Q9 | Q9 |
| | | | | CT = _____ VT = _____ | CT = _____ VT = _____ | CT = _____ VT = _____ |

¹⁾ for U138x and Q9 the pulse rates are indicated as a function of the primary side:

| Pulse Rate Table | For V1 and V3, calibrated | | For V2 and V4, not calibr. |
|--------------------|---------------------------|----------------------------|----------------------------|
| | Fixed | Programmable | |
| CT x VT | | | |
| 1 ... 10 | 1000 pulses per kWh | 1 ... 1000 pulses per kWh | |
| 11 ... 100 | 100 pulses per kWh | 0.1 ... 100 pulses per kWh | |
| 101 ... 1000 | 10 pulses per kWh | 0.01 ... 10 pulses per kWh | |
| 1001 ... 10000 | 1 pulse per kWh | 1 ... 1000 pulses per MWh | |
| 10001 ... 100000 | 0.1 pulses per kWh | 0.1 ... 100 pulses per MWh | |
| 100001 ... 1000000 | 0.01 pulses per kWh | 0.01 ... 10 pulses per MWh | |

²⁾ not approved in Switzerland

Feature Q1 (only auxiliary display calibrated)

For billing purposes, only the auxiliary display (small digits) is to be used.

Sample order

4-wire system, any load, without external auxiliary power, with reactive energy measurement, with MID approval, programmable transformation ratio, input voltage: 400 V, with standard SØ pulse output, no bus connection

Designation: U1389 H0 M2 P8 Q1 U6 V1 W0

Accessories

| Designation | Article number |
|--|----------------|
| Door mount kit (including dimensional drawing) | U270A |

ENERGYMETER|MID

U1281/U1289/U1381/U1387/U1389

Electronic Active and Reactive Energy Meters

Standard types with MID approval and initial calibration (available from stock)

| Designation | Feature | Article Number |
|--|----------------------|-------------------|
| Energy meter for direct connection 5 (65) A, class B (or 1) | | |
| for 4-wire system, 3x 230 / 400 V, SO 1000 pulses/kWh | U1289 U6 P8 V1 | U1289-V011 |
| for 4-wire system, 3x 230 / 400 V, SO pulse rate programmable | U1289 U6 P8 V2 | U1289-V012 |
| for 4-wire system, 3x 230 / 400 V, SO pulse rate programmable, LON | U1289 U6 P8 V2 W1 | U1289-V013 |
| for 4-wire system, 3x 230 / 400 V, SO pulse rate programmable, M-Bus | U1289 U6 P8 V2 W2 | U1289-V014 |
| Energy meter for transformer connection 5 (6) A and 1 (6) A, class B (or 1) | | |
| for 3-wire system, 3x 100 V, 1 (6) A, SO, CT / VT / pulse rate programmable | U1387 U3 P8 V2 Q1 | U1387-V011 |
| for 3-wire system, 3x 400 V, 1 (6) A, SO, CT / VT / pulse rate programmable | U1387 U6 P8 V2 Q1 | U1387-V012 |
| for 4-wire system, 3x 230 / 400 V, 1 (6) A, SO, CT / VT / pulse rate programmable | U1389 U6 P8 V2 Q1 | U1389-V011 |
| for 4-wire system, 3x 230 / 400 V, 1 (6) A, SO, 1000 pulses/kWh, CT = VT = 1 | U1389 U6 P8 V1 Q0 | U1389-V012 |
| for 4-wire system, 3x 230 / 400 V, 1 (6) A, SO pulse rate programmable, CT = VT = 1, LON | U1389 U6 P8 V2 Q0 W1 | U1389-V013 |
| for 4-wire system, 3x 230 / 400 V, 1 (6) A, SO, 1000 pulses/kWh, CT = VT = 1, LON | U1389 U6 P8 V1 Q0 W1 | U1389-V014 |
| for 4-wire system, 3x 230 / 400 V, 1 (6) A, SO, CT / VT / pulse rate programmable, M-Bus | U1389 U6 P8 V2 Q1 W2 | U1389-V015 |
| for 4-wire system, 3x 230 / 400 V, 1 (6) A, SO, CT / VT / pulse rate programmable, LON | U1389 U6 P8 V2 Q1 W1 | U1389-V016 |

ENERGYMETER|MID

U1281/U1289/U1381/U1387/U1389

Electronic Active and Reactive Energy Meters

© Gossen Metrawatt GmbH
Edited in Germany • Subject to change without notice / errors excepted • A pdf version is available on the Internet

All trademarks, registered trademarks, logos, product names, and company names are the property of their respective owners.

 **GOSSEN METRAWATT**

Gossen Metrawatt GmbH
Südwestpark 15
90449 Nürnberg • Germany

Phone +49 911 8602-111
Fax +49 911 8602-777
E-Mail info@gossenmetrawatt.com
www.gossenmetrawatt.com