

R2900

Compact Controller: 96 x 96 mm

3-349-202-03
6/8.14

- **Temperature controller**
for the direct connection of thermocouples and resistance thermometer Pt100 as well as standard signals
- **Single-channel digital controller with microprocessor**
- **Available as 2-step, 3-step, continuous-action, step-action, fixed value, differential or slave controller**
- **Compact housing, front panel dimensions: 96 × 96 mm per DIN 43700**
For installation to control panels etc.
- **Easy operation, extensive standard functions and few device variants**
- **Two keys each for function selection and value settings**



Applications

Primary applications include temperature control in plastics processing and packaging machines, oven manufacturing and food processing.

The R2900 controller is suitable for control systems with the following characteristic values:

Characteristic value		
Tu	delay	1 s ... 10 min.
Tg	balancing time	1 min. ... 10 h
Tg/Tu		> 5

Features

- Harmonic-free PDPI algorithm
- Proxy setpoint
- External setpoint (slave controller)
- Setpoint ramp
- Self-optimization
- 2 alarm contacts with actuation suppression
- Heating circuit monitoring
- Heating current monitoring (with external transformer)
- Step-action controller with or without repeater
- Continuous-action controller with split range

- Discontinuous-action controller with actual value output
- Discontinuous-action controller with setpoint output
- Differential controller
- Current settings can be saved as user-defined default settings
- Interface (RS 485, RS 232)

Description

Actual and setpoint values are both displayed digitally at the same time. LEDs indicate the status of switching and alarm outputs, and whether or not manual operation and the proxy setpoint are active.

Control parameters and configuration values are entered with a membrane keypad. Current settings can be saved as user-defined default settings and recalled as required.

Heating current monitoring is provided as a standard feature (except with designations A5 and A6). Heating current is acquired by means of an external GTZ 4121 current transformer. Acquired values are displayed and evaluated at the R2900 controller.

Error messages are generated if the heating current setpoint is fallen short of, or in the case of antivalence.

R2900

Compact Controller: 96 x 96 mm

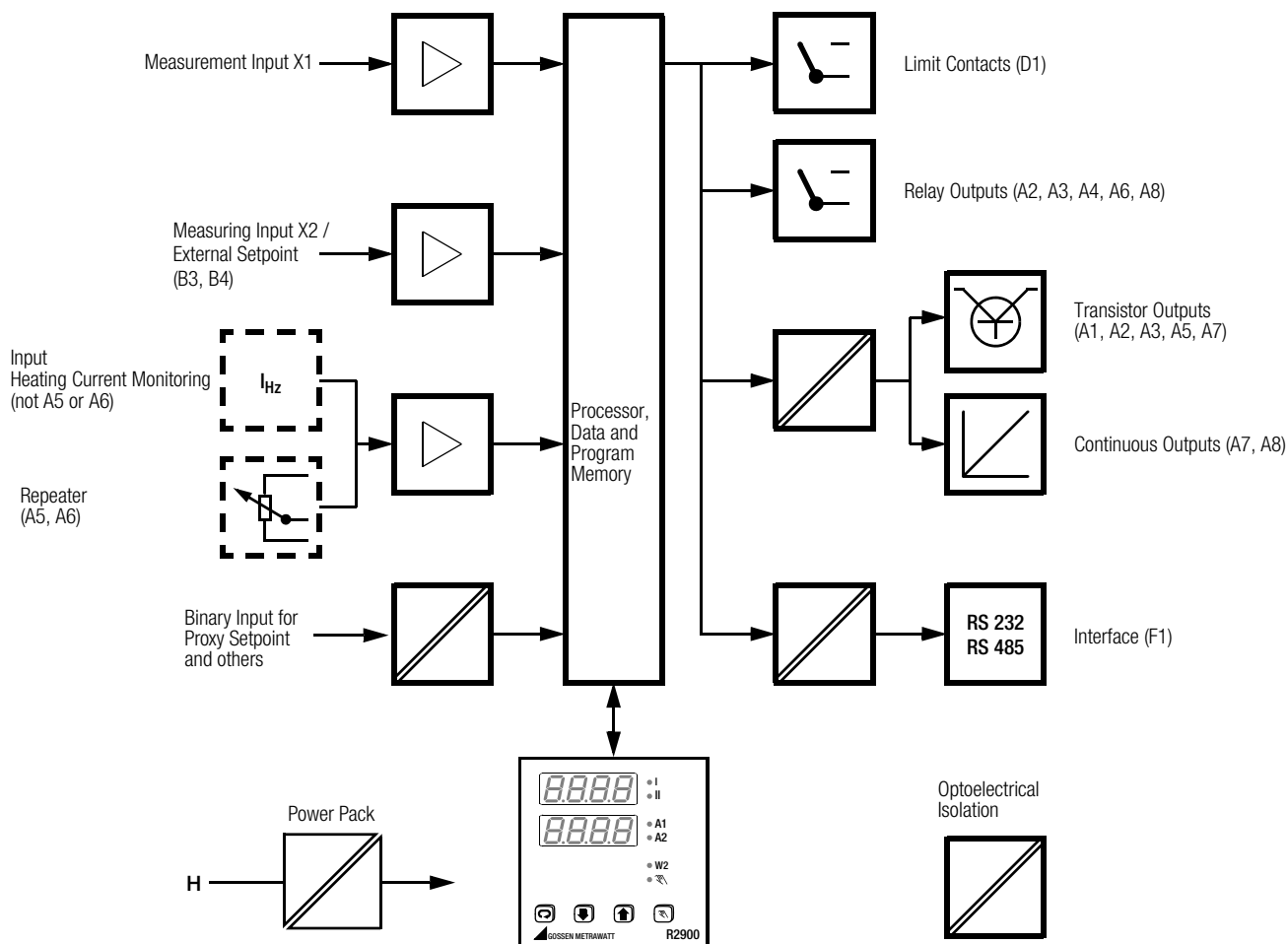


Figure 1: Schematic Diagram

Applicable Regulations and Standards

IEC 61010-1 / DIN EN 61010-1/ VDE 0411 T1	Safety requirements for electrical equipment for measurement, control and laboratory use
DIN EN 61326 VDE 0843 part 20	Electrical equipment for measurement, control and laboratory use – EMC requirements
DIN VDE 0106 T1	Protection against electric shock
EN 60529	Degrees of protection provided by enclosures (IP code)
CSA	Approval given by Canadian Standards Association

Characteristic Values

Inputs

Measurement Input	14 bit transformer resolution
Measuring Range	See order information
Sampling Cycle	0.5 s
Offset Compensation	Possible by means of parameter entry

Sensor Input Configuration

Designation	Sensor Type	Selectable via Keypad	
B1, B3, B4	Thermocouple Pt100	°C / °F configurable	Measuring ranges and designations: See order information
B2	Direct voltage Direct current	0/4 ... 20 mA / 0/2 ... 10 V Scalable display range	

Thermocouple

Continuous overload	3 V / 50 Hz AC, sinusoidal 1 V DC
Input impedance	> 50 kΩ
Reference junction	Integrated equalizing circuit
Error messages	For broken sensor, polarity reversal, short-circuit (heating circuit monitoring) and temperature above or below measuring range

R2900

Compact Controller: 96 x 96 mm

Pt100 Resistance Thermometer

	2-Wire Connection	3-Wire Connection
Cable resistance (both directions)	Balancing from 0 to 30 Ω (by means of keystroke with short-circuited sensor)	Compensated from 0 to 30 Ω
Continuous overload	3 V AC / 50 Hz sinusoidal 1 V DC	
Measuring current	approx. 0.2 mA	
Error messages	For broken sensor or short-circuit, or temperature above or below the measuring range	

Direct Voltage, Direct Current

	Direct Voltage	Direct Current
Measuring range	0/2 ... 10 V configurable	0/4 ... 20 mA configurable
Continuous overload	100 V	60 mA DC
Input impedance / load	> 150 k Ω	< 50 Ω
Error messages	For input quantities above or below the measuring range	For input quantities above or below the measuring range

Heating Current Monitoring Input (not with designations A5 and A6)

Measuring range, GTZ 4121 000 R... current transformer input	AC 0 ... 40 A
Measuring range, heating current monitoring input	DC 0 ... 10 V

Repeater Input (with designations A 5 and A6)

Nominal potentiometer values	0.1 ... 1.0 k Ω
Measuring current	< 1.5 mA

Binary Input

Activation of the proxy setpoint by means of floating contact or isolated electronic switch (optocoupler etc.)
Configurable also for switch-over between manual and automatic operation or disturbance variable feed-forward.

Open circuit voltage approx. 15 V
Short-circuit current approx. 1.5 mA

Active	Voltage drop via contact	< 2 V
Inactive	Residual current via contact	< 0.02 mA

Display

Display range	4-place, digital
Display height	13 mm

Status and Switching Outputs

	Symbol	Display Type
Status	W2, manual	LED
Switching outputs	I, II, A1, A2	LED

Controlled Variable

Designation	Measuring Range	Display Resolution
B1, B3, B4	All	1 $^{\circ}$ C or $^{\circ}$ F 0.1 $^{\circ}$ C or $^{\circ}$ F also with Pt100
B2	0/2 ... 10 V 0/4 ... 20 mA scalable from -1999 to +9999 digits	1 digit

Repeater

Measuring Range	Display Resolution
Scalable from 0 to 100%	1%

Heating Current

Measuring Range	Display Resolution
Scalable from 0 to 100.0 A	0.1 A

Setpoints

Setpoint limiting	Adjustable upper and lower setting limits
Proxy setpoint	Activation via external contact, value can be programmed at the device
Ramp function (separate for rise and fall)	Specification of a gradual temperature change in degrees per min. Activated by means of: – Turn on auxiliary voltage – Change current setpoint value – Activate proxy setpoint – Switch from manual to automatic operation
External setpoint	Configurable for designation B4

Control Performance

Configurable Control Modes

PDPI 2-step controller	For heating
PDPI 2-step controller	For cooling
PDPI 3-step controller	
PDPI 3-step controller	Water cooling
Continuous-action controller	
Continuous-action controller	With split range
Step-action controller	With or without repeater
Limit transducer	2 / 3-step controller without time response
Actuator	

In addition to fixed value control, each of these control modes also includes differential and slave controller functions.

Self-optimization By means of keystroke from any mode. Control parameters can be changed manually.

Control Parameter Setting Ranges

Display	Meaning	Setting Range
PB I	Proportional band switching output I	0.1 ... 999.9%
PB II	Proportional band switching output II (with 3-step controller)	0.1 ... 999.9%
dbnd	Dead spot (for 3-step and step-action controllers)	0 ... MRS ¹⁾
tu	Path delay	0 ... 9999 s
tc	Read-out cycle time	0.5 ... 600 s

¹⁾ MRS = measuring range span

R2900

Compact Controller: 96 x 96 mm

Outputs

Control Outputs

Function	Switching output I (heating) Switching output II (cooling)
Read-out cycle	Adjustable within a range of 0.5 ... 600 s
Output type	Relay or transistor output (can be set via DIP switch)
Relay output	Floating contact, normally open
Switching capacity	250 V AC / DC, 2 A, 500 VA / 50 W
Service life	> 2 x 10 ⁵ switching cycles at nominal load
Interference suppression	Provide external RC element (100 Ω - 47 nF) at contactor
CSA	300 V CAT II
Transistor output	Suitable for commercially available semiconductor relays (SSR)

Switching Status	Open-Circuit Voltage	Output Current
Active (load ≤ 800 Ω)	< 17 V DC	10 ... 15 mA
Inactive	< 17 V DC	< 0.1 mA

Overload limit Short-circuit, continuous interruption

Continuous Output

Function	Alternatively configurable manipulating factor, heating or cooling, controlled variable or setpoint
Output quantity	Alternatively Current 0 / 4 ... 20 mA, at < 450 Ω load Voltage 0 / 2 ... 10 V, at > 550 Ω load
Transformer resolution	8 bit

Alarm Output

Number	2 (optional)
Functions	Alternatively configurable: min, max, min + max, relative / absolute, NO / NC contact Actuation suppression off / on Adjustable switching hysteresis
Contact type	Floating contact, normally open
Switching capacity	250 V AC / DC, 2 A, 500 VA / 50 W
Service life	> 2 x 10 ⁵ switching cycles at nominal load
Interference suppression	Provide external RC element (100 Ω - 47 nF) at contactor
CSA	300 V CAT II

Heating Current Monitoring

Heating current monitoring	Permanently installed
Current acquisition	Via external current transformer GTZ 4121 000 R... ¹⁾ (via other external current transformer, scaling required)

¹⁾ See data sheet Z 4121 regarding mechanical installation and electrical connection.

Heating current nominal value transfer by means of keystroke

Error Messages for	
- Antivalence	Actuator signal OFF + heating current ON Actuator signal ON + heating current OFF
- Below current setpoint	Below heating current setpoint by more than 20% with actuator signal ON
Signaling	Error message read-out permanently wired to alarm output 1

Heating Circuit Monitoring

Without external transformer, without additional parameters	
Configurable	Heating circuit monitoring active / inactive
Error Messages for	100% heat without rising temperature, i.e. Short-circuited thermocouple Interrupted heating No sensor in heating circuit

Auxiliary Voltage

Nominal Value	Nominal Range of Use		CSA	Power Consumption
	Voltage	Frequency		
110 V / 230 V AC	95 ... 253 V AC	48 ... 62 Hz	300 V CAT II	Max. 10 VA typ. 6 W

Data Interface

Type (interchangeable)	RS 232	RS 485
Maximum number of devices	1	32, parallel connected
Number of strands	3	
Transmission speed	9600 baud	
Parity	Even	
Number of data bits	8	
Number of stop bits	1	
Operating mode	Half-duplex	
Protocol	Per DIN 19244 draft	

Accuracy

Controlled Variable Input	Error Limit relative to MRS ¹⁾	Resolution relative to MRS ¹⁾
Thermocouple		
- In general, except for types R, S and B	< 0.7%	< 0.02%
- Types R, S	< 1%	< 0.05%
- Type B > 600 °C	< 1.5%	< 0.05%
Resistance thermometers	< 0.7%	< 0.02%
Direct voltage, direct current	< 0.7%	< 0.02%
	Error limit	
Reference junction	± 2 K	
	Error limit relative to measured value	Offset error
Heating current input	5%	± 0.1%
Repeater	5%	± 1 Ω
	Error limit relative to upper range value	Resolution
Continuous output	< 1.0%	0.4%

¹⁾ MRS = measuring range span

R2900

Compact Controller: 96 x 96 mm

Reference Conditions

Reference Quantity	Reference Condition
Ambient temperature Tref	23 °C ± 2 K
Reference junction temperature Tver	23 °C ± 2 K
Auxiliary voltage	Nominal value ± 1% at 50 Hz AC ± 1%, sinusoidal Allowable common-mode voltage to electrically connected inputs: 0 V DC / AC
Warm-up time	10 min. (inputs within measuring range)

Influencing Quantities and Influence Error

Influencing Quantity	Nominal Range of Use	Maximum Influence Error
Ambient temperature Tu	0 °C ... +50 °C	0.1 K (Tu-Tref) / K
Reference junction temperature Tver	0 °C ... +50 °C	0.1 K (Tver - Tref) / K
Cable resistance		
– Thermocouple in general except for types R, S, B	RL = 0 ... 200 Ω	0.4 K / 10 Ω
– Types R, S, B	RL = 0 ... 200 Ω	2 K / 10 Ω
– Pt100 2-wire	RL = 0 ... 30 Ω	3 K / Ω (adjustable)
– Pt100 3-wire	RL = 0 ... 30 Ω	0.5K / 10 Ω
Warm-up influence	≤ 5 minutes	± 1%

Electrical Safety

Safety class	II, panel-mount device per DIN EN 61010-1 section 6.5.4
Fouling factor	1, per DIN EN 61010-1 section 3.7.3.1 and IEC 664
Overvoltage category	II, per DIN EN 61010 appendix J and IEC 664
Operating voltage	300 V per DIN EN 61010

Electromagnetic Compatibility

Interference emission	EN 61326 measuring method EN 55011, class B limit value		
Interference immunity	EN 61326		
Test type	Standard	Test severity	Criterion
ESD	EN 61000-4-2	4 kV contact discharge	B
		8 kV atmospheric discharge	B
E field	EN 61000-4-3	10 V / m 80 ... 1000 MHz	B
Burst	EN 61000-4-4	2 kV at power supply cables	B
HF	EN 61000-4-6	10 V terminals 0.15 ... 80 MHz, all	A
Surge voltage	EN 61000-4-5	2 kV at all connector cables	A
Voltage dip	EN 61000-4-11	½ period	A

Ambient Conditions

Annual mean relative humidity, no condensation	75%
Ambient temperature	
– Nominal Range of Use	0 °C ... +50 °C
– Functional range	0 °C ... +50 °C
– Storage range	-25 °C ... +70 °C

Mechanical Design

Design	Panel-mount device per DIN 43700 Housing made from plastic per UL V0 Side-by-side mounting with separator ≥ 10 mm
Panel cutout	92 ^{+0.8} mm x 92 ^{+0.8} mm
Mounting position	Front panel vertical or tilted back up to 45°
Protection	front panel IP 65 housing IP 20 terminals IP 20
Weight	approx. 0.5 kg

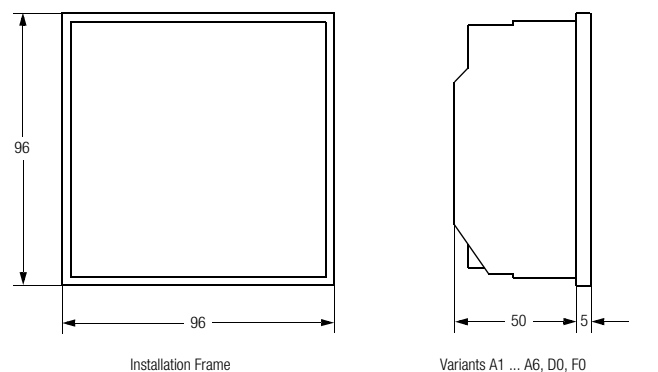


Figure 2: Housing Dimensions and Panel Cutout

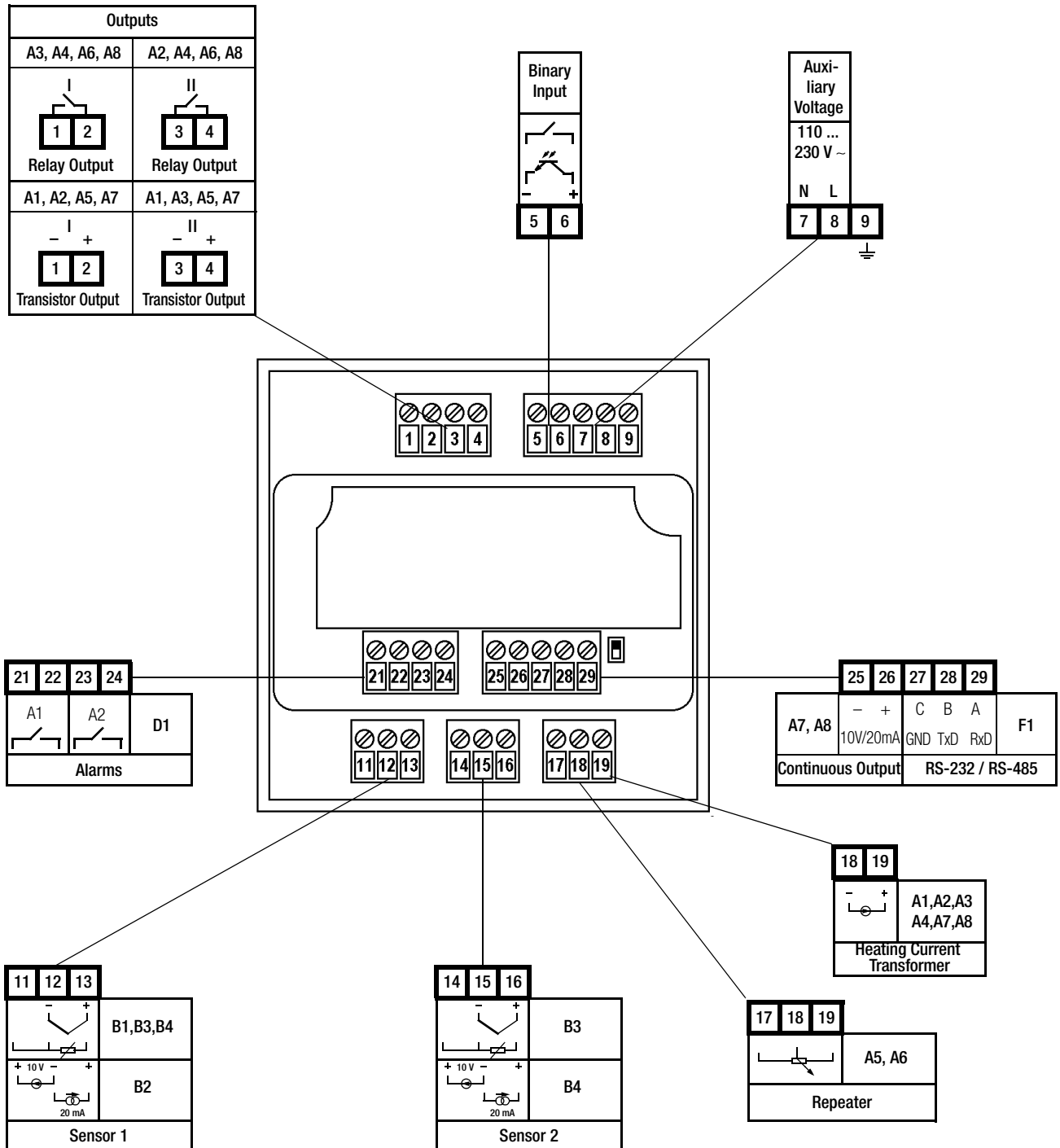
Standard Equipment

- Controller
- 2 mounting components
- Multilingual operating instructions
- Multilingual operating instructions for data interface (with designation F1 only)

R2900

Compact Controller: 96 x 96 mm

Electrical Connection



Connector components

Screw terminals, suitable for wire with 1.5 square mm cross-section or two-core wire-end ferrules for 2 x 0.75 square mm cross section

Figure 3: Connector Terminal Positions

R2900

Compact Controller: 96 x 96 mm

Order Information

The following applies for the selection of order features: Only *one* designation beginning with any given capital letter may be selected. If the capital letter is followed by zeros only, the designation need not be entered.

Feature	Designation
Electronic controller	R2900
With self-optimization and proxy setpoint, front panel dimensions: 96 x 96 mm (W x H)	
Controller type	
2 / 3-step controller with heating current monitoring / step-action controller	2 transistor outputs A1
2 / 3-step controller with heating current monitoring	1 st switching point: transistor output 2 nd switching point: relay output A2
2 / 3-step controller with heating current monitoring	1 st switching point: relay output 2 nd switching point: transistor output A3
2 / 3-step controller with heating current monitoring / step-action controller	2 relay outputs A4
Step-action controller with repeater / 3-step controller	2 transistor outputs A5
Step-action controller with repeater / 3-step controller	2 relay outputs A6
Continuous-action controller / step-action controller / 3-step controller with heating current monitoring transistor outputs	1 continuous output and 2 A7 ¹⁾
Continuous-action controller / step-action controller / 3-step controller with heating current monitoring outputs	1 continuous output and 2 relay A8 ¹⁾
Measuring ranges	
Measurement input: configurable thermocouple	B1
Type J, L -18 ... 850 °C / 0 ... 1562 °F	
Type K -18 ... 1200 °C / 0 ... 2192 °F	
Type S, R -18 ... 1770 °C / 0 ... 3218 °F	
Type B 0 ... 1820 °C / 32 ... 3308 °F (accuracy specified as of 600 °C)	
Type N -18 ... 1300 °C / 0 ... 2372 °F	
Measurement input: Pt100 resistance thermometer	B2
- 100 ... 500 °C / -148 ... 932 °F - 100.0 ... 500.0 °C / -148.0 ... 932.0 °F	
Measurement input: configurable standard signal	
0 / 2 ... 10 V or 0 / 4 ... 20 mA	
Both measurement inputs can be mutually configured as with designation B1 for differential controller.	B3
First measurement input can be configured as with designation B1, and second as with designation B2 for slave controller.	B4
Auxiliary voltage	
AC 110 ... 230 V	C1
Limit contacts	
None	D0
Two	2 relay outputs D1 ²⁾
Data interface	
None	F0
RS 232 / RS 485, internally selectable	F1 ³⁾
Operating instructions	
English / German	L0
French / Italian	L1
None	L2
Configuration	
Default settings	K0
Configure per customer requirements	K9
Customer-specific front panel	upon request

¹⁾ Cannot be ordered with D1 and F1 in combination

²⁾ Cannot be ordered with A7 and F1, or A8 and F1 in combination

³⁾ Cannot be ordered with A7 and D1, or A8 and D1 in combination

R2900

Compact Controller: 96 x 96 mm

Sample Order

Feature (plain language)		Designation
Electronic controller	With self-optimization and proxy setpoint, front panel dimensions: 96 x 96 mm (W x H)	R2900
Controller type	2 / 3-step controller with heating current monitoring	1 st switching point: transistor output 2 nd switching point: relay output A2
Measuring range	Thermocouple	B1
Auxiliary voltage	AC 110 ... 230 V	C1
Limit contacts	Two	2 relay outputs D1
Operating instructions	English / German	L0
Data interface	RS 232 / RS 485, internally selectable	F1
Configuration	Default settings	K0

Accessories

Feature		Article Number / Feature
Current transformer , top-hat rail mounting, for acquiring heating current		
	With 3 inputs (one 3-phase consumer or three single-phase AC consumers)	GTZ4121000R0001
	With 4 inputs (one 3-phase consumer + one single-phase AC consumer, or four single-phase AC consumers)	GTZ4121000R0002

Edited in Germany • Subject to change without notice • A pdf version is available on the internet



GMC-I Messtechnik GmbH
Südwestpark 15
90449 Nürnberg • Germany

Phone +49 911 8602-111
Fax +49 911 8602-777
E-Mail info@gossenmetrawatt.com
www.gossenmetrawatt.com