

# Panel Mount Version

## METRATESTER<sup>®</sup> 5-E/5-F-E

3-349-057-15  
6/2.22



## 1 Safety Features and Precautions

METRATESTER<sup>®</sup>5 and 5-F instruments are available as portable testers, as well as in a panel mount version for installation to test panels and switchgear cabinets.

In order to assure proper functioning and flawless technical safety condition of the panel mount version, it is absolutely essential that you thoroughly and carefully read and adhere to all of the instructions included in the chapter concerning mechanical installation and electrical connections, as well as the operating instructions included with the instrument before it is placed into service.

Please observe the following safety precautions:

- The instrument may only be connected to electrical supply systems with 230 V/240 V which conform to the valid safety regulations (e.g. IEC 60364, VDE 0100) and are protected with a fuse or circuit breaker with a maximum rating of 16 A.
- Make sure that the connector cables for the test socket and the mains outlet have not been reversed or damaged.

## 2 Standard Equipment

- Test instrument
- Operating instructions in German and English
- Cables for connecting the METRATESTER<sup>®</sup>5-E/5-F-E to the mains outlet

### Not included:

- Four M3 mounting screws
- Test socket and mains outlet
- Cables for connection to test socket
- Cables for mains power supply

### 3 Mechanical Installation

The following describes mechanical installation for the METRATESTER® 5-E/5-F-E.

The unconnected test socket and mains outlet can be cut away (sawed off) as shown if they get in the way during installation.

Panel Cutout Dimensions  
and Wiring Diagram M700H and M700T

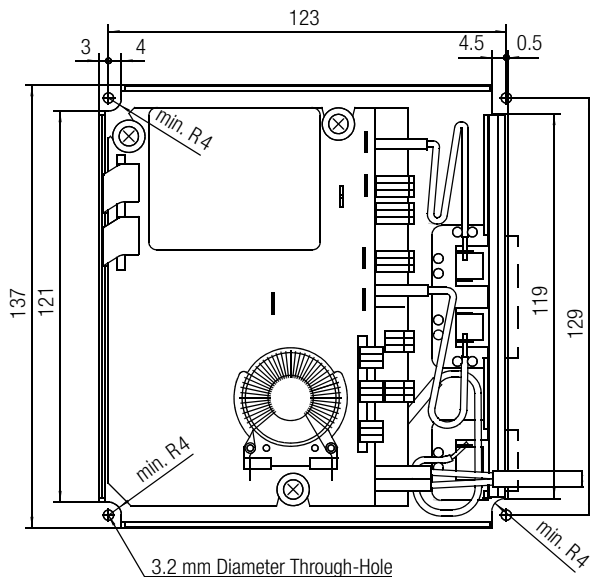
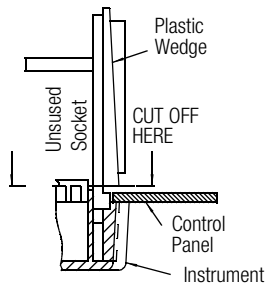
INSTRUMENT DESIGNED FOR PANEL MOUNT ONLY!



#### Attention!

9 mm clearances and creepage distances must be observed to voltage conducting parts of the instrument!

Maximum control panel wall thickness: 3 mm.  
Cut off included plastic wedge as indicated and insert between the control panel and the instrument!

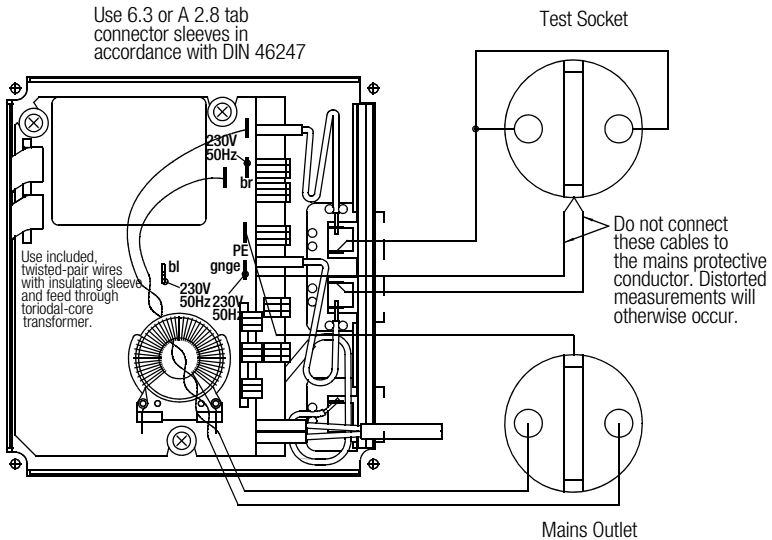


## 4 Electrical Connection

The following describes electrical connection of the METRATESTER<sup>®</sup> 5-E/5-F-E to the test socket and the mains outlet.

- The twisted-pair wires for the mains outlet must be fed through the differential current transformer as shown. Measurement of differential current is otherwise not possible.
- Connect one end of the mains power cables to the tab connectors with the designations br, bl and gnge, and the other end to the L1, N and PE terminals at the mains (br = L1, bl = N, gnge = PE).

Wiring Diagram  
M700H



© Gossen Metrawatt GmbH

Erstellt in Deutschland • Änderungen / Irrtümer vorbehalten • Eine PDF-Version finden Sie im Internet  
Prepared in Germany • Subject to change, errors excepted • PDF version available on the Internet

Alle Handelsmarken, eingetragenen Handelsmarken, Logos, Produktbezeichnungen und Firmennamen sind das Eigentum ihrer jeweiligen Besitzer.

All trademarks, registered trademarks, logos, product names, and company names are the property of their respective owners.

 **GOSSEN METRAWATT**

Gossen Metrawatt GmbH  
Südwestpark 15  
90449 Nürnberg • Germany

Phone +49 911 8602-0  
Fax +49 911 8602-669  
E-mail [info@gossenmetrawatt.com](mailto:info@gossenmetrawatt.com)  
[www.gossenmetrawatt.com](http://www.gossenmetrawatt.com)