

## KINAX N705-MEMS CANopen Inclination transmitter

### Description

The KINAX N705-MEMS is a robust inclinometer in industrial design with integrated CAN-bus interface. Due to its reliable measurement of tilt angle, high mechanical strength and compact, robust design it is particularly suitable for use in demanding and industrial environments. It serves the acquisition of inclination and angular position, processing and the provision of measured values for the downstream device.

### Features

- High performance
- Compact industrial housing
- Splash and dust proof housing of IP67
- Resistant against high mechanical strains
- Measurement range of 0...360°
- High accuracy of min. 0,2°
- High output resolution of 0,1°
- Signal-output of CANopen
- Free parameterization over CANopen

### Benefits

- Precise positioning by high measuring accuracy
- Reliable operation in rough environment due to robust design
- Low installation costs due to easy and fast assembly
- Time-saving commissioning and free programming via CANopen interface

### Applications

Simple and reliable angle and inclination measurement in:

- Water power plants
- Solar energy power plants
- General machine and plant engineering
- Fresh and wastewater plants
- Construction and agricultural machinery
- Utility vehicles
- Cranes and hoists
- Industrial trucks



### Technical data

#### General

Measured quantity:	Single-axis Tilt angle
Measuring principle:	Microelectromechanical capacitive tilt angle system

#### Measuring input

Measuring range:	-180°...+180° free programmable
Inclination angle:	360°
Sense of rotation:	Adjustable for rotation clockwise or counter-clockwise

#### Measuring output

Power supply:	9...42 VDC
Output signal:	CAN-Bus Interface
Protocol:	CANopen
CANopen Draftstandards:	DS 401 Device-Profile inclinometers DS 301 Application-Layer and communication profile
Current consumption:	< 120 mA

#### Accuracy

Angular accuracy:	0,2°
Output resolution:	0,1° (default)
Temperature coefficient:	~ 0,05° / 10K

# KINAX N705-MEMS CANopen Inclination transmitter

## Installation data

Material of housing:	Aluminium
Mounting position:	Perpendicular to the measurement object
Electrical connection:	2 x Connector M12x1,5 / 5 poles
Weight:	appr. 0,3 kg
Dimension:	70 x 70 x 30 mm

## Regulations

Spurious radiation:	EN 61 000-6-3
Immunity:	EN 61 000-6-2
Test voltage:	500 Veff, 50 Hz, 1 min.
Housing protection:	IP 67 acc. to EN 60 529

## Environmental condition

Climatic rating:	Temperature – 40° to + 70° C Relative humidity < 95%
------------------	---

Vibration resistance:	≤40 m/s <sup>2</sup> / 5...100 Hz acc. to EN 60068-2-6
Shock resistance:	500 m/s <sup>2</sup> / 18 ms acc. to EN 60068-2-27

## Programming

The inclination transmitter is programmable via the CANopen interface. All parameters are stored in the object directory in the operating instructions.

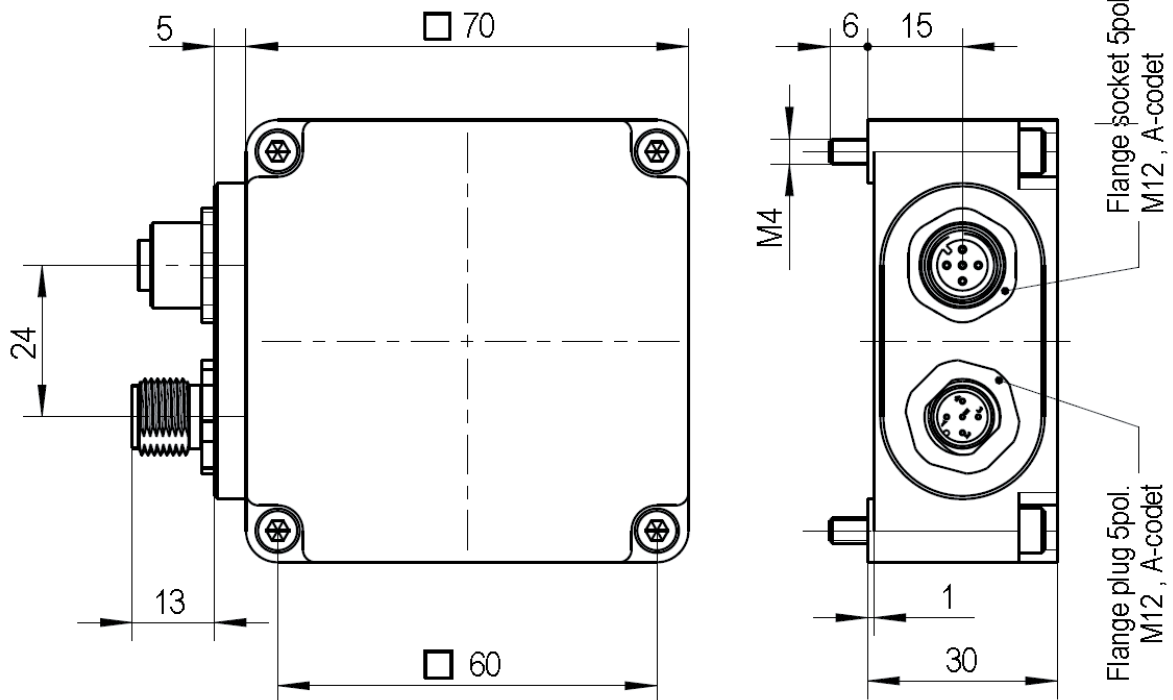
## Scope of delivery

- 1 Inclination transmitter KINAX N705-MEMS CANopen
- 1 Operating manual German, English

## Ordering information of variants

Description	Article No.
KINAX N705-MEMS CANopen	182577

## Dimensions



 **CAMILLE BAUER**

Camille Bauer Metrawatt AG  
Aargauerstrasse 7  
CH-5610 Wohlen / Switzerland  
Telefon: +41 56 618 21 11  
Telefax: +41 56 618 21 21  
info@camillebauer.com  
www.camillebauer.com